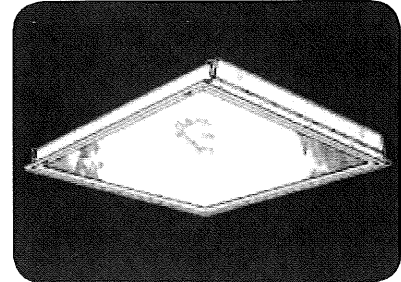


131 4' x 4'

Lensed Static Troffer Grid Mount



FEATURES & SPECIFICATIONS

HOUSING - 22 gauge die formed C.R.S.

DOOR FRAME - 22 gauge C.R.S. or .050" extruded aluminum, flat or regress, with mitered corners. T-slot steel hinge allows reversible hinging and latching

SHIELDING - #12 pattern, .125" acrylic overlay standard - other patterns and thicknesses available

FINISH - 92% minimum average reflective white powder coat with multi-stage iron/phosphate prepared metal

ELECTRICAL - Electronic ballast standard, instant start T8, programmed start T5, rated Class P

LABELS - UL/CUL listed as recessed fluorescent luminaire suitable for dry or damp locations

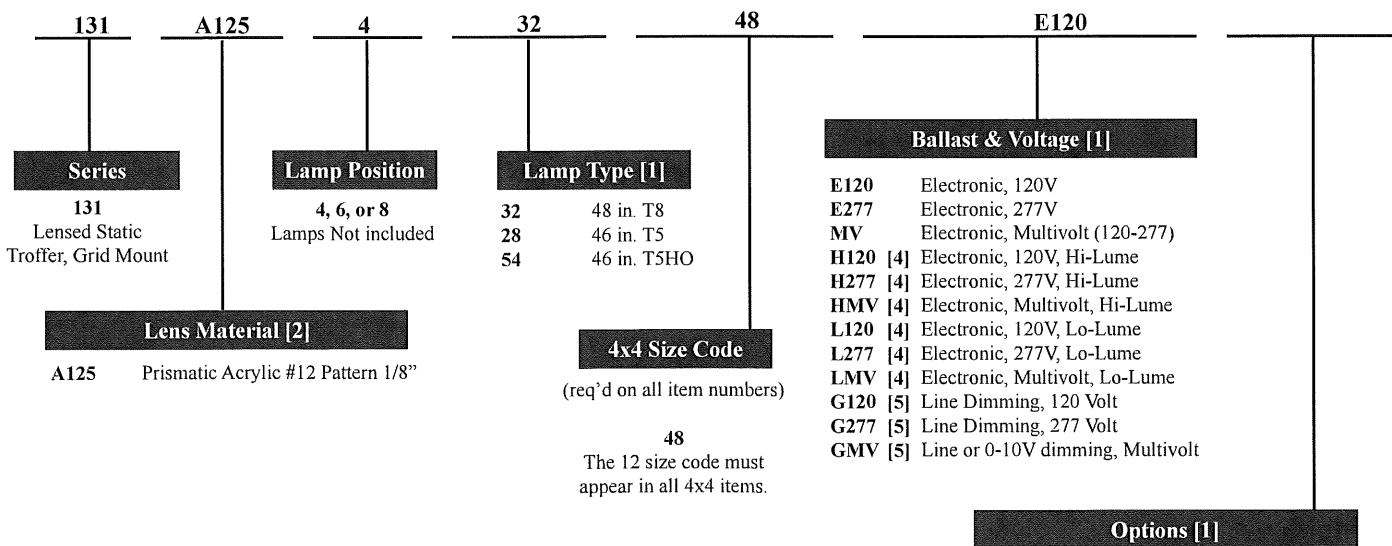
MOUNTING - NEMA Type "G" standard.

FEATURES:

- T-slot steel hinge ensures positive retention when door is opened
- 5.50" deep housing eliminates lens shadowing
- Deep reinforcement ribs provide added strength
- Rolled-edge channel adds superior strength
- All parts painted after fabrication to facilitate installation, increase efficiency, and inhibit corrosion

ORDERING INFORMATION

Example: 131A12543248E120



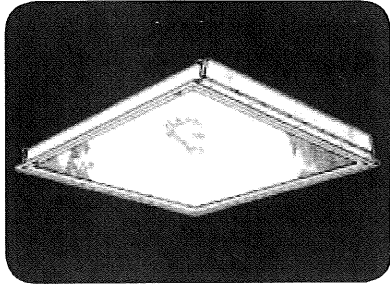
Notes

- [1] See end of T02Grid for many additional lamps, ballasts, finishes, and options.
- [2] Custom louvers available in any cell configuration. Contact factory for additional information.
- [3] Custom reflectors available to create any light distribution.
- [4] HiLume and LoLume ballasts available for T8 lamps only.
- [5] Dimming ballasts available for T8 & T5HO lamps only.
- [6] Magnetic ballasts available for T8 & T12 only.
- [7] Magnetic & electronic T12 ballasts drive a 34W energy saver lamp.

EM14 ballast required for T5 & T5HO lamps

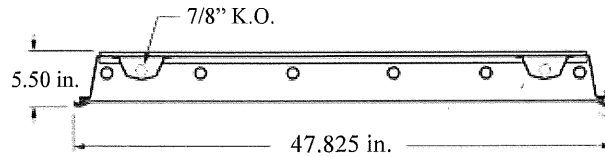
131 4' x 4'

Lensed Static Troffer
Grid Mount



DIMENSIONS

All dimensions are inches. Specifications subject to change without notice.



PHOTOMETRICS

Calculated using the zonal cavity method in accordance with IESNA LM41 procedure. Lamp configurations shown are typical. Photometric data on these and other configurations available upon request.

Floor	20%	20%	20%	20%	20%	20%	20%	20%	20%
Ceiling	80%	80%	80%	70%	70%	70%	50%	50%	50%
Wall	70%	50%	30%	70%	50%	30%	50%	30%	10%
RCR	Zonal cavity coefficients					Spacing ratio. Along 1.2 Across 1.3			
0	1.05	1.05	1.05	1.03	1.03	1.03	.98	.98	.98
1	.97	.94	.91	.95	.92	.89	.88	.86	.84
2	.90	.84	.79	.88	.82	.78	.79	.75	.72
3	.83	.75	.69	.81	.74	.68	.71	.67	.62
4	.77	.68	.61	.75	.67	.60	.64	.59	.55
5	.71	.61	.53	.69	.60	.53	.58	.52	.47
6	.66	.55	.48	.64	.54	.47	.52	.46	.42
7	.61	.49	.42	.59	.49	.42	.47	.41	.37
8	.56	.44	.37	.54	.44	.37	.43	.36	.32
9	.51	.40	.33	.50	.39	.33	.38	.32	.28
10	.48	.36	.29	.47	.36	.29	.35	.29	.25

