

**TESS USA Inc.  
LUMINAIRE ULTRA® II**

**Instructional Manual**

**INTRODUCTION**

Thank you for your purchase of this TESS Luminaire Ultra® II transparency illuminator. It is designed to provide you with the finest illumination and the most functional operation possible. Please take a few minutes to review these simple instructions in order to achieve maximum benefit from this product, with a minimum of effort.

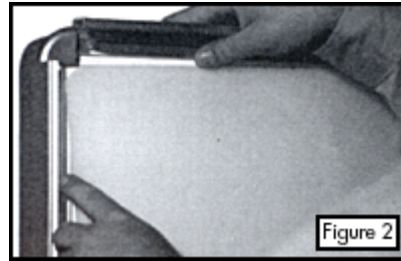
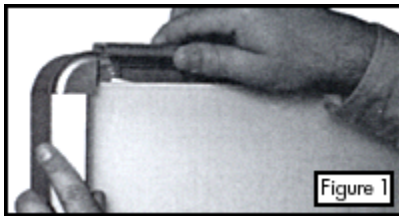
**INSPECTION**

This unit has been well packaged to protect it from damage during the rough type of handling often encountered during shipment. If it has arrived damaged, you may be assured it has received extraordinarily severe treatment by the carrier. In cases of damage, first notify the carrier to file a damage claim. Then contact our Customer Service Department to remedy your situation.

**OPENING PACKAGE**

If you wish to save the packaging for reshipment, the protective packaging surrounding the unit should be carefully removed and stored inside the package.

## PREPARING THE UNIT FOR USE



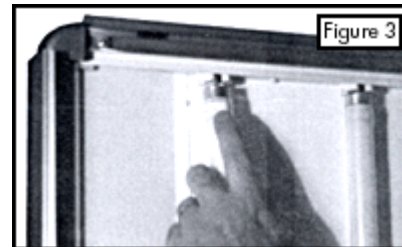
Open the unit by flipping back the frame on all four sides (see fig. 1).

Remove the clear plastic face. Remove the white diffusion panel by gripping along one of the largest sides, and pulling it toward you, bowing it slightly to clear the corners (fig. 2).

Foam encased lamps and mounting hardware will be found within the unit. Remove the lamps and the hardware.

## LAMP INSTALLATION

Unwrap the lamps and install into lamp sockets by inserting the prongs into the sockets and turning until they lock into position (fig. 3).

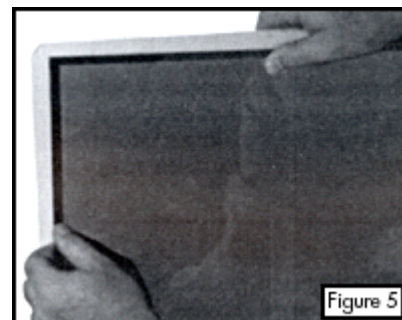


## TRANSPARENCY INSTALLATION

Peel the protective coating, if provided, from both sides of the white diffusion panel (fig. 4).



Place the transparency between the white diffusion panel on bottom and clear plastic sheet on top (fig. 5). Install this transparency assembly into the frame by simply reversing the removal procedure under "Preparing the Unit for Use" on this page.



## **LAMP & TRANSPARENCY CHANGES**

To change transparencies and lamps simply repeat the procedure listed under "Preparing the Unit for Use" and "Lamp Installation".

### **HINTS FOR BEST TRANSPARENCY USE.**

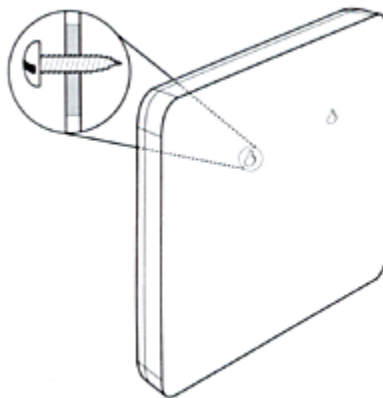
If moisture or static electricity spots are visible, insert a small amount of talcum or foot powder on the transparency where these spots appear.

If the transparency appears wrinkled or wavy, it may be oversized. It should be removed, trimmed slightly, and returned to the unit.

### **LAMP REPLACEMENT**

Replace lamps with identical lamps only. In most models, the lamps contain a color-correct phosphor. These lamps are normally not available at retail outlets such as hardware stores. They may also be ordered from some commercial supply companies.

Note: For proper illumination, lamps should be replaced when they grow noticeably dimmer, or develop dark areas at the ends.



### **WALL-MOUNTING THE UNIT**

Remove the face per instructions on reverse side of this sheet.

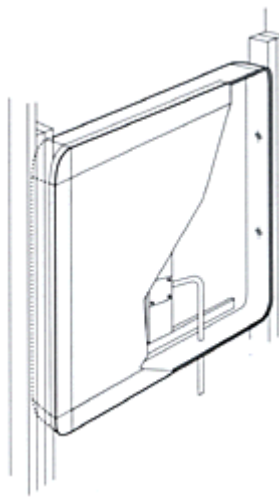
Hold the unit against the wall in the desired location, and mark the positions of the mounting screws through the tops of the keyhole slots in the back.

Install the mounting screws, If the surface is wood, use a 1/8" drill. If the surface is gypsum (plaster) board, use a 1/4" drill and insert the plastic

anchors provided. Insert the screws, leaving about 1/4"-3/8" protruding.

Position the display unit over the screws. Exert a slight downward pressure to test for proper mounting strength.

Reinstall the transparency sandwich per instructions on reverse side of this sheet.



### **RECESSED MOUNTING (WALL-INSET MODEL)**

Mounting holes are on side of unit. A hole is provided on the back of the unit for a conduit connection. (If the conduit must enter through another location, you may cut a hole for this purpose through any side of the unit).

To mount: fit unit into recess so that lip of frame is flush with wall.

We recommend that the hole be cut into the wall 1/8"-1/4" larger than the part of the unit that is to be recessed. (The lip of the unit that mounts flush with the wall is 3/8" wider than the unit on all sides.)

Use 3/16" x 1" wood screws and fasten through sides in holes provided. Avoid bowing the sides of the unit as you tighten the screws. Use shims if necessary.

If you have ordered a hard-wired configuration, electrical connection should be performed by a qualified electrician. Note: hard-wired configuration must be ordered for mounting into any permanent wall.

#### **CAUTIONS**

- Observe the electrical requirements on the label before connecting.
- Do not use improper current.
- Unplug before servicing. If hard-wired, turn off circuit before servicing.
- Ballasts should be replaced only by qualified electrical personnel.
- If you have ordered a hard-wired configuration, electrical connection

should be performed by a qualified electrician.