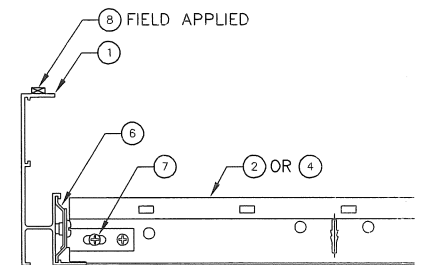
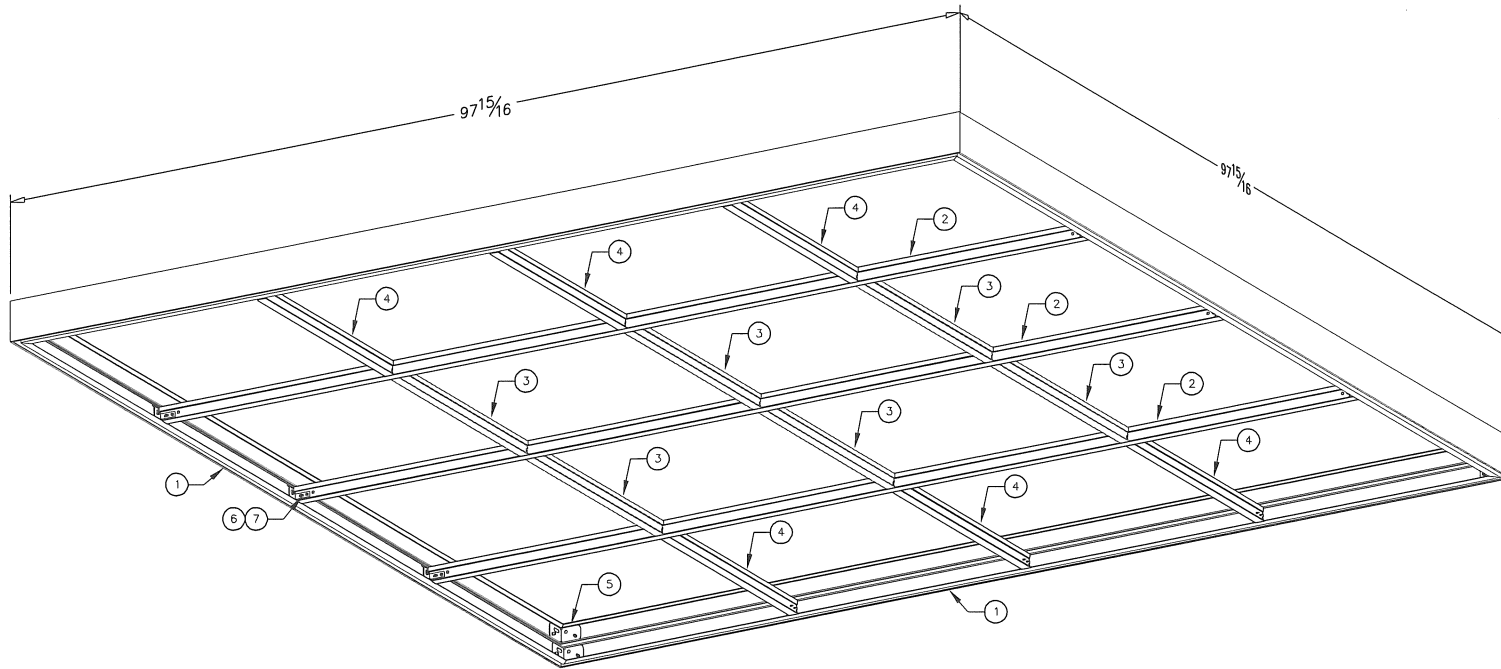
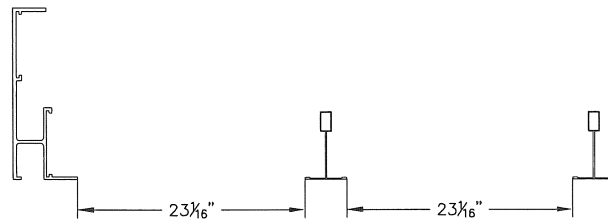


| ITEM | QTY | PART NO. | DESCRIPTION |
|------|-----|--------------------|---|
| 1 | 4 | 04571S.00 | 4" Infinity 'R' Trim L=97 15/16" 90EE |
| 2 | 3 | 211.933 | Main Tee Face L=95.056" |
| 3 | 6 | 1229.01 | Cross Tee Face L=23.056" |
| 4 | 6 | 1229.904 | Cross Tee Face L=23.056" PNotch1E Stab1E |
| 5 | 8 | 429.00 | Outside Corner Splice |
| 6 | 12 | 430.00 | Grid Clip |
| 7 | 24 | 404.00 | #8x1/2" Lg. Self Drilling -- Phillips Pan Head Screw |
| 8 | 1 | V814GYA3 1038.X | "Gaska" Gasket Tape, .300"x1/8"x35L.F. |



GRID TO TRIM CONNECTION



NOTE: ALL MODULE OPENINGS, STANDARD 23 1/6" x 23 1/6"
(INSIDE EDGE TO INSIDE EDGE)

| | | | |
|--|-----|--------|--------------------|
| TESS 8'x8' KIT #04571K903 | | | |
| DWG. DATE: | BY: | SCALE: | REV. DATE: |
| 11/01/07 | JLW | N.T.S. | C 01/11/08 |
| 4" Infinity 'R' with 1200 Tees 8'x8' Nominal Skylight Kit | | | REF. NO. 2798-1 |